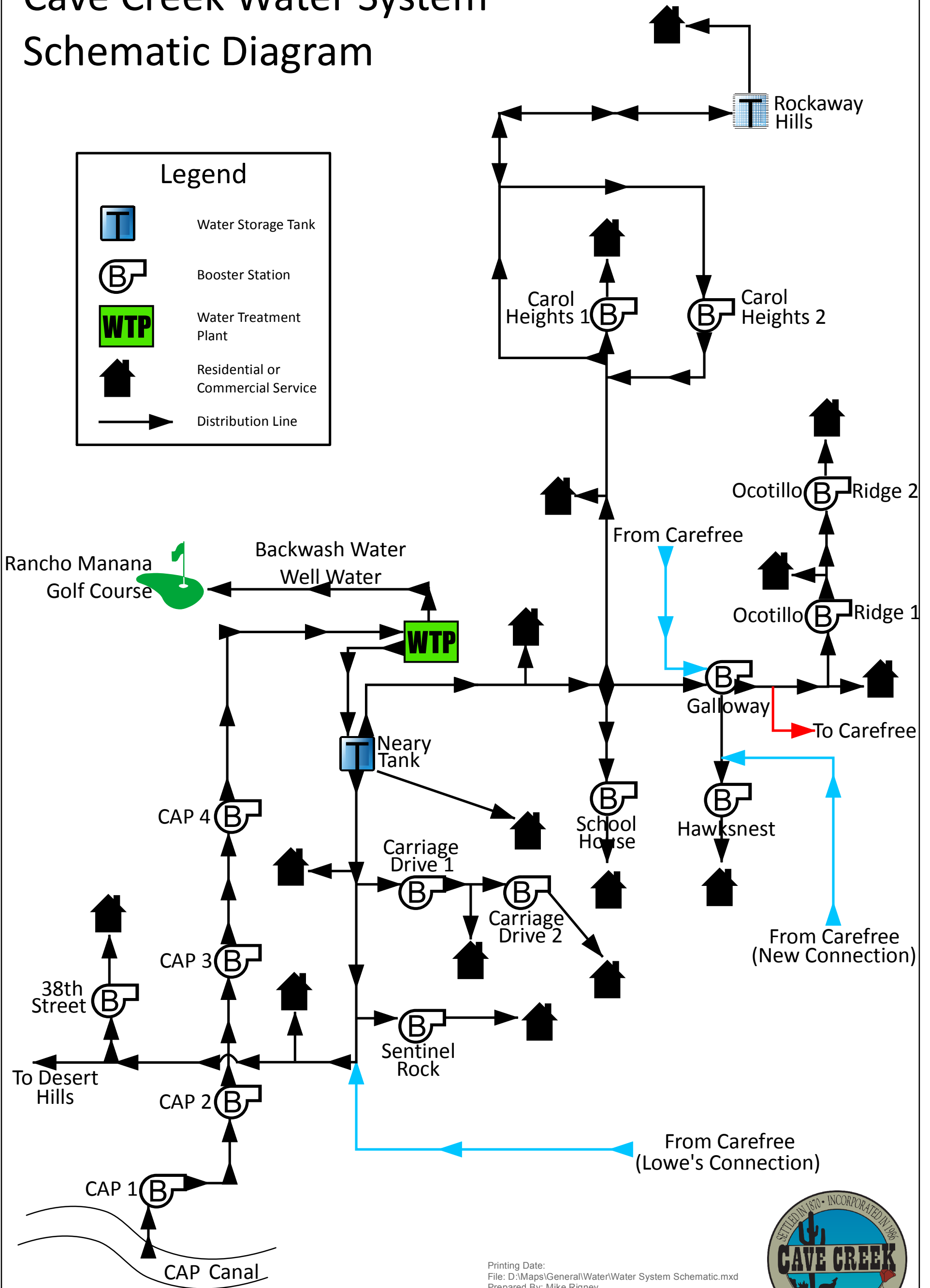
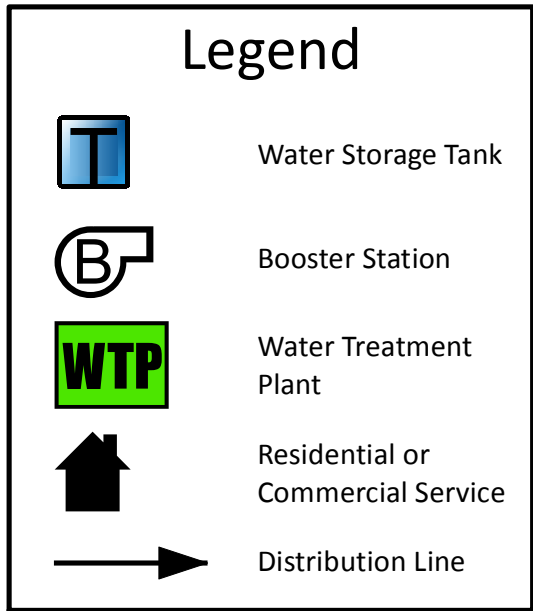


Cave Creek Water System Schematic Diagram



Printing Date:
 File: D:\Maps\General\Water\Water System Schematic.mxd
 Prepared By: Mike Rigney
 Town of Cave Creek
 Not to scale. Illustrative purposes only.

